

User Manual



Seal²



The reproduction, either total or in part, of this manual is prohibited.

The content of this manual is subject to change without prior notice.

TABLE OF CONTENTS

1.1	GENERAL NOTES ON DELIVERY	4
1.2	GENERAL WARNINGS.....	4
1.3	INTENDED USE.....	4
1.4	MEANING OF THE SYMBOLS	5
1.5	INFORMATION ABOUT THE WARRANTY	6
2.1	OVERALL DIMENSIONS OF THE MACHINE AND ITS PACKAGING	7
2.2	DESCRIPTION OF THE CONTENTS	8
3.1	INSTALLATION.....	9
3.2	ADJUSTMENT OF THE HEIGHT OF THE ROLL-HOLDER	11
3.3	INSTRUCTIONS FOR WALL MOUNTING.....	12
3.4	SAFETY	14
3.5	ELECTRIC CONNECTION.....	15
4.1	TECHNICAL SPECIFICATIONS	16
5.1	INSTRUCTIONS FOR USE.....	17
6.1	CLEANING THE THERMOSEALING DEVICE.....	20
6.2	EXTRAORDINARY MAINTENANCE.....	20
6.3	TROUBLE SHOOTING	21
7.1	INSTRUCTIONS FOR DISPOSAL.....	21

1.1 GENERAL NOTES ON DELIVERY

Upon delivery of the equipment, check the condition of the package and keep it in case of future needs.

Open the package and check that:

- The contents correspond to the technical specifications;
- There is no evidence of any damage.

In the event of damage or missing items, inform the carrier, dealer or distributor immediately providing all the details.

The dimensions mentioned in this manual are subject to change without notice.

Drawings and any other documents delivered with the equipment belong to the manufacturer who reserves all rights; they cannot be made available to third parties.

The reproduction, either total or in part, of the texts and the illustrations in this manual is forbidden.

The manufacturer reserves the right to improve or to make modifications to the manual or device without giving prior notice and without updating previous manuals.

1.2 GENERAL WARNINGS

The figures who deal with the device, from the points of view of both use and maintenance are described below.

THE OPERATOR is the person who physically uses the device according to its intended use.

THE RESPONSIBLE AUTHORITY is the person or group responsible for the use and ordinary maintenance of the device and the training of the operator. The responsible authority is legally responsible for the installation, correct functioning and use of the device.

The manufacturer cannot be considered responsible for possible breakages, injury or the poor functioning of the device if it has not been used correctly or not been adequately maintained.

This manual is an integral part of the product and must be kept close to the equipment for easy and quick reference. This manual provides instructions for:

- The correct installation;
- Safe and efficient functioning of the equipment;
- Continuous and scheduled maintenance.

The device must be used according to the procedures in this manual and never for purposes other than those intended.


The device is intended for professional use and only qualified people can use it.

1.3 INTENDED USE



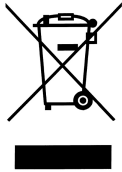
SEAL²: device for the sealing and cutting of paper/propylene sterilization rolls. The device cannot be used with rolls made of other materials.

1.4 MEANING OF THE SYMBOLS



Safety symbols on the device:

SYMBOL	DESCRIPTION
	WARNING: HOT SURFACE

The following symbols appear on the device's sticker. Their meaning is explained in the following table.

SYMBOL	DESCRIPTION
SN	"SERIAL NUMBER" The symbol must be accompanied by the manufacturer's serial number. The serial number must be next to the symbol.
	"DATE OF MANUFACTURE" The symbol must be accompanied by the year of manufacture. The year must be expressed in 4 digits.
	"WARNING, PLEASE REFER TO INSTRUCTIONS FOR USE."
	This symbol that appears on the device means that the parts must be disposed of separately and recycled.

Moreover, in this manual certain symbols are used next to a description, a note etc. These icons aim to attract the attention of the reader to notes or explanations of particular importance. Their meaning is explained below.

SYMBOL	DESCRIPTION
	PARTICULARLY IMPORTANT SAFETY INFORMATION. This symbol aims to attract the reader's attention to essential facts for the safety of the operator.
	INFORMATION AND WARNINGS This symbol draws attention to general indications and recommendations.

1.5 INFORMATION ABOUT THE WARRANTY

The manufacturer guarantees the quality of your product, if used in accordance with the instructions described in this manual, for a period of **12 months** both for mechanical and electrical components.

The warranty starts from the date of delivery to the customer, which must be proven by returning the warranty form duly filled in and signed.

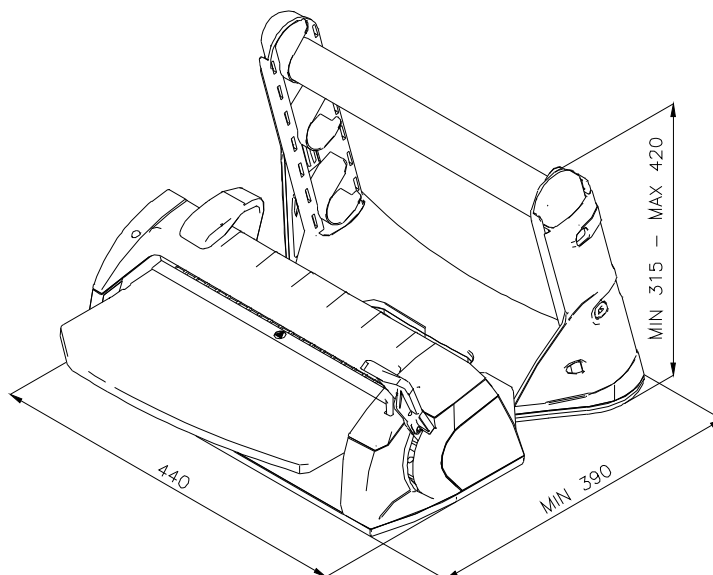
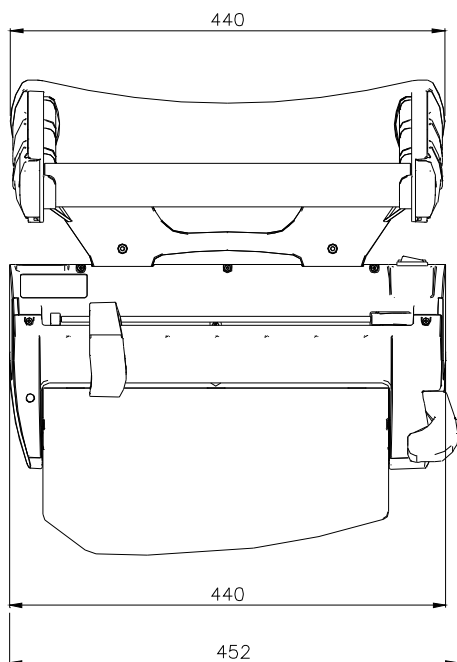
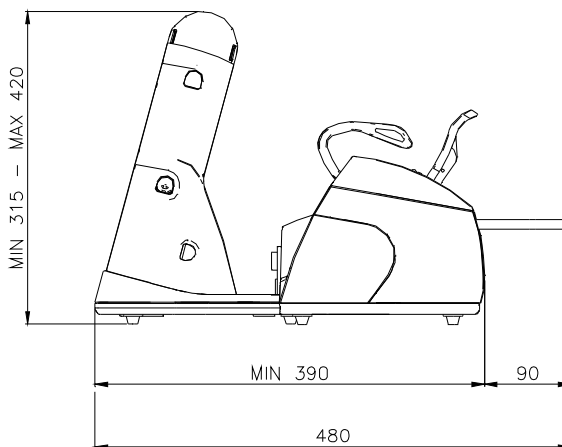
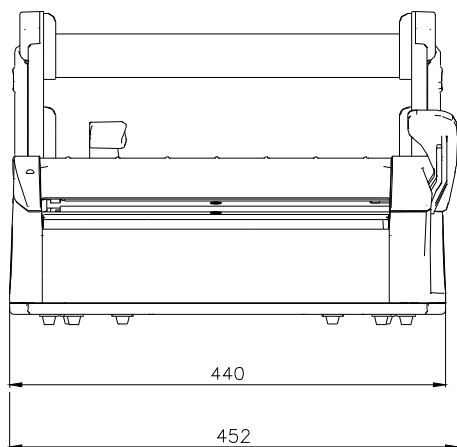
In the case of disputes, the date on the delivery note relating to the equipment serial number will be valid. The warranty does not cover defects or damage caused by:

- Incorrect installation
- Inadequate maintenance
- Tampering or unauthorized modifications
- Incorrect use of the equipment
- Non-compliance with the instructions included in this manual

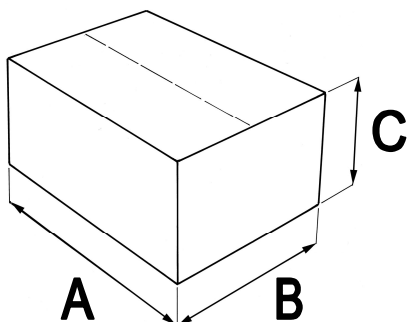
The replacement of equipment and the extension of the warranty period because of breakdown is excluded.

Repair under warranty is carried out at the discretion of the manufacturer and does not include packing and shipping costs.

2.1 OVERALL DIMENSIONS OF THE MACHINE AND ITS PACKAGING



Overall dimensions of the thermosealing device



Dimensions of the package:

A = 520 mm
B = 400 mm
C = 365 mm

Total weight: 8,5 kg

2.2 DESCRIPTION OF THE CONTENTS

The packaging contains the following components:

Description	Quantity
Sealing & Cutting station	1
Roll-holder	1
Work surface	1
Roll-holder tubes	2
Mains wire	1
Allen key	1
Spare fuses	2
Instruction manual	1
Quick-start guide	1
Warranty certificate	1



NOTE: it is recommended to **keep the original packaging** for use when transporting the device. The use of other packaging could result in the damage of the product during transportation.

3.1 INSTALLATION

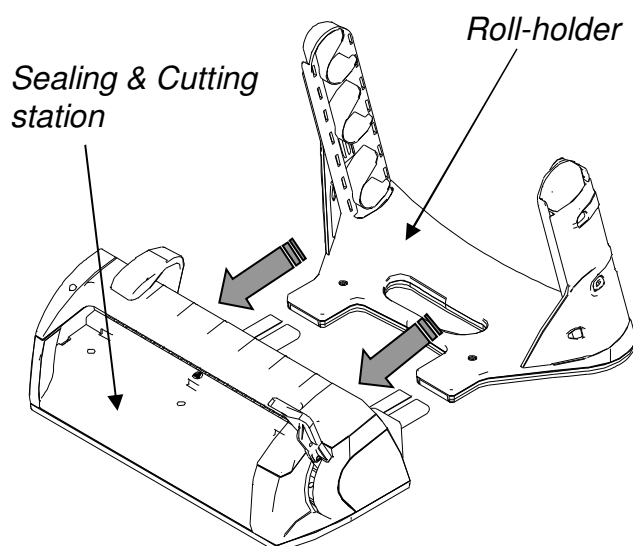
Install the product respecting the following warnings:

- Position the thermosealing device on a flat surface with sufficient working space around it.
- Do not install the machine next to sinks or anything similar in order to avoid contact with water and the short circuit of the electrical system.
- Avoid proximity to sources of heat.
- Install the machine in an area with normal ventilation.
- Make sure that the mains wire is not bent and that it is free of obstruction up to the electric socket.

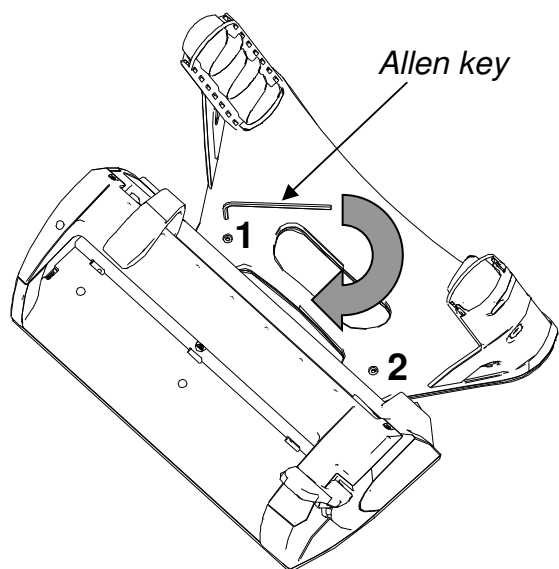
1) Remove the sealing/cutting station and the roll-holder with care from the packaging.

2) Insert the roll-holder into the sealing & cutting station by sliding it along the steel guides.

3) Push the roll-holder as far as it will go in order to take up as little space as possible or the distance can be adjusted according to ones needs.

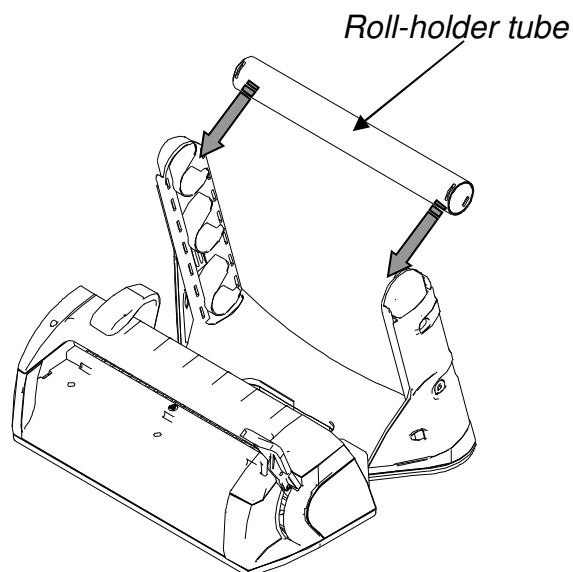


4) Tighten the two screws (1 and 2) with the supplied allen key until they are fully tightened.

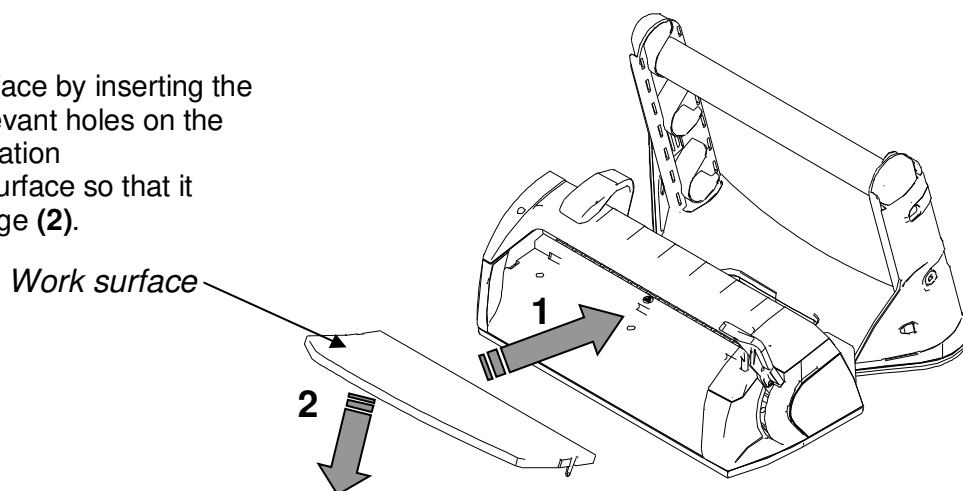


- 5) Insert one or two of the tubes* on the roll-holder making sure that the tooth of the roll-holder slots into the slit on the tube, if necessary by turning the tube.

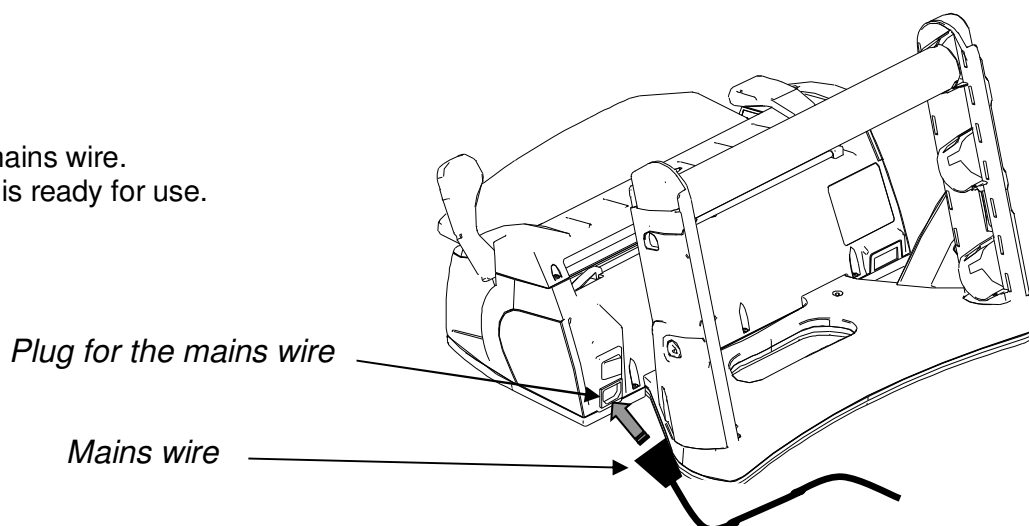
*according to the desired use.
(see paragraph 3.2)



- 6) Insert the work surface by inserting the 3 teeth into the relevant holes on the sealing & cutting station (1) and lower the surface so that it blocks onto the ledge (2).



- 7) Insert the mains wire.
The device is ready for use.



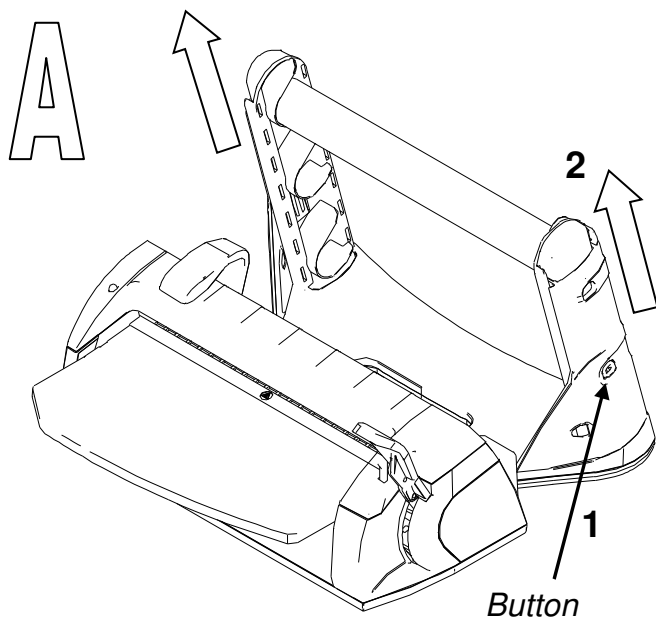
NOTE: The thermosealing device has been tested and calibrated in the factory.

3.2 ADJUSTMENT OF THE HEIGHT OF THE ROLL-HOLDER

The thermosealing device can be used in several ways:

A – with the roll-holder lowered with one tube

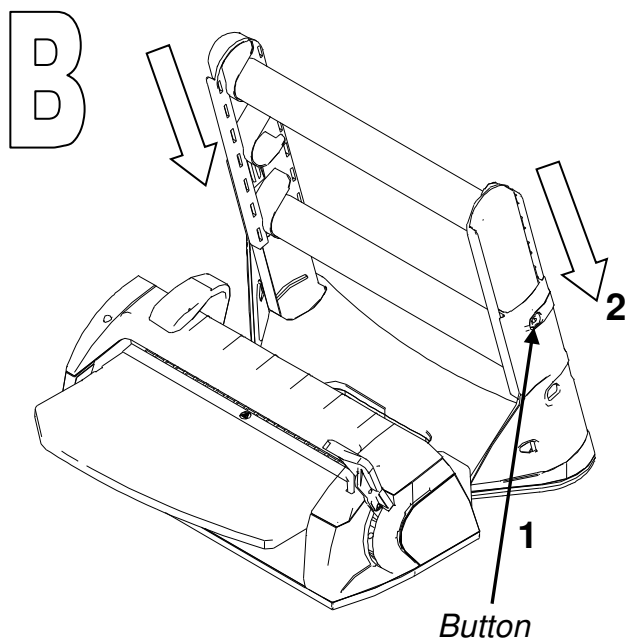
B – with the roll-holder extended with one or two tubes



To extend the roll-holder when it is lowered:

Note: remove the tube before carrying out this operation.

- 1) Push the buttons on either side of the roll-holder
- 2) Push both sides of the roll-holder upwards until the buttons fit into the upper holes.



To lower the roll-holder when it is extended:

Note: remove the tube/s before carrying out this operation.

- 1) Push the buttons on either side of the roll-holder
- 2) Push both sides of the roll-holder downwards until the buttons fit into the lower holes.



WARNING:

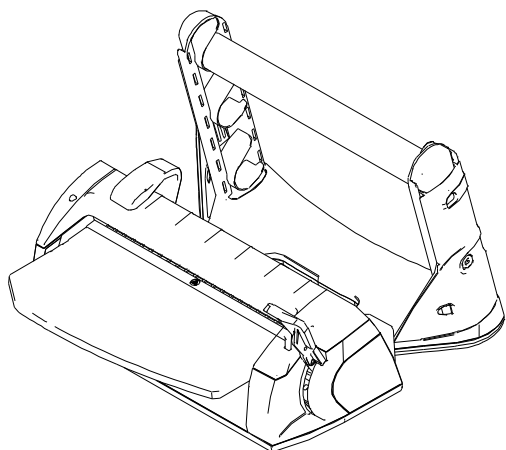
When the roll-holder is fully extended, place the lighter rolls of pouches on the higher tube.

Load a maximum of 5 kg.

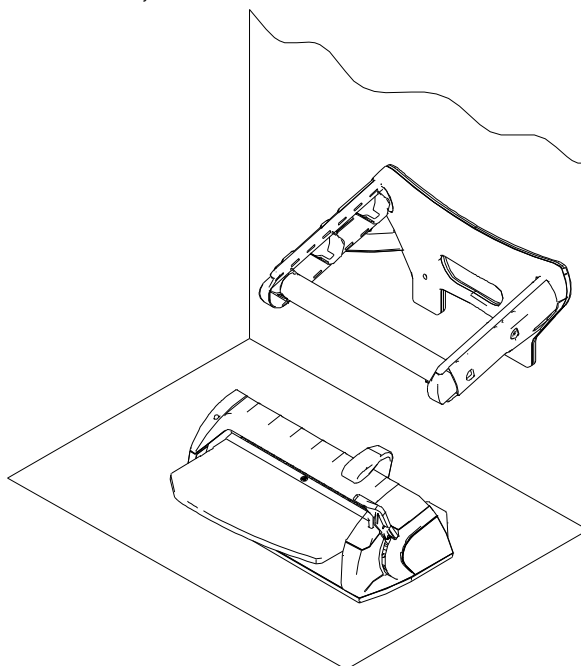
3.3 INSTRUCTIONS FOR WALL MOUNTING

The thermosealing device has been designed to be used in two ways:

SEALING & CUTTING STATION ON A FLAT SURFACE



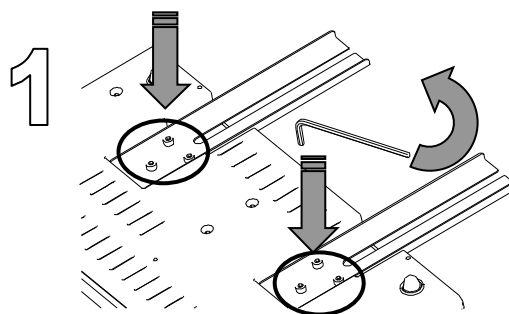
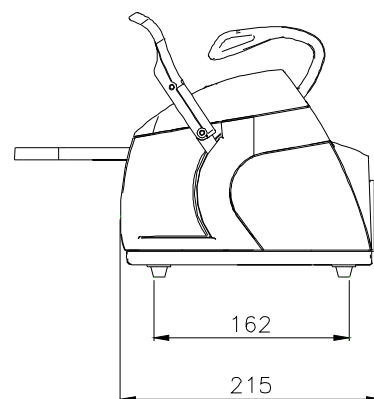
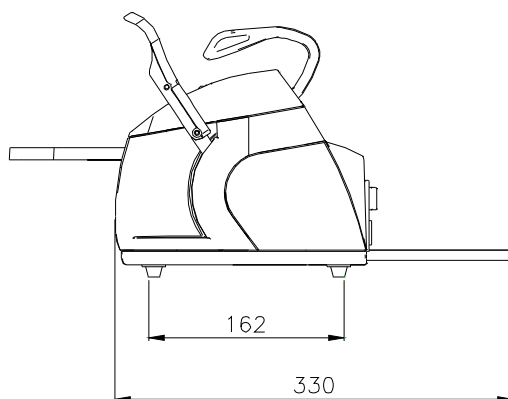
SEALING & CUTTING STATION ON A FLAT SURFACE, ROLL-HOLDER ON A WALL



When the roll-holder is on the wall, the sealing & cutting station takes up 330 mm, because there are the steel runners.

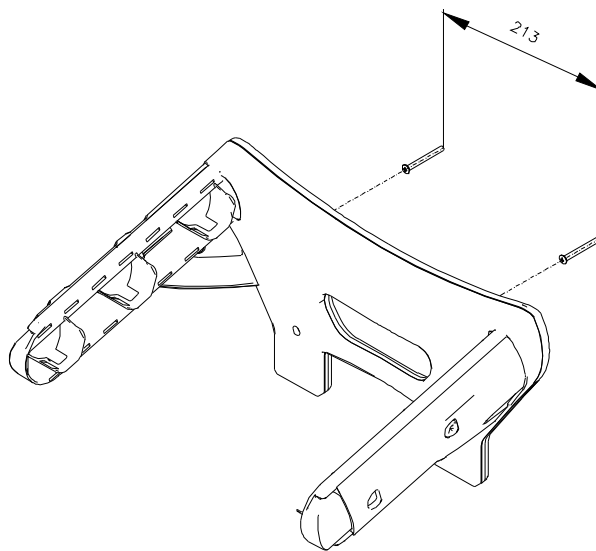
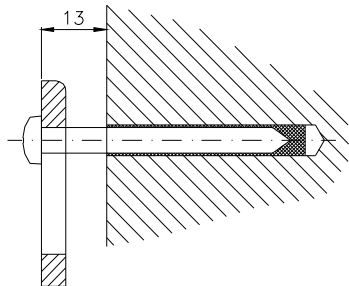
(1) To reduce the space needed, the steel runners can be removed using the allen key to remove the screws that hold the runners in place.

The space required is then only 215 mm (plus the mains wire).



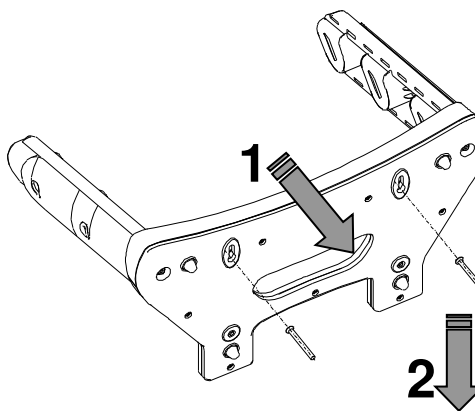
For **wall-mounting** the roll-holder, follow the instructions below.

- 1) Fix two dowel screws of diameter 6 (screw head: max. diameter 9,5 mm, main part of screw: max diameter of 5 mm) with a wheel base of 213 mm.
Leave a protrusion of 13mm between the screw head and the wall so that the roll-holder can be mounted.



Use dowel screws that are suitable for the type of wall (cement, brick, plasterboard etc.)

- 2) Attaching the roll-holder to the dowel-screws in the wall.
(1) Place the holes in the roll-holder onto the dowel-screw heads,
(2) and pull downwards to hold it in place.



- 3) Insert the tube with the rolls (see 3.1 – Installation).



WARNING:

Insert the tube on the roll-holder making sure that the tooth of the roll holder slots into the slit on the tube, turning the tube if necessary



WARNING:

When the roll-holder is wall mounted, use it in its lowered position with only one tube (see 3.2).

3.4 SAFETY

Before using your thermosealing device, please read the following safety information carefully. Non compliance could cause accidents or damage to the device.

WARNING:

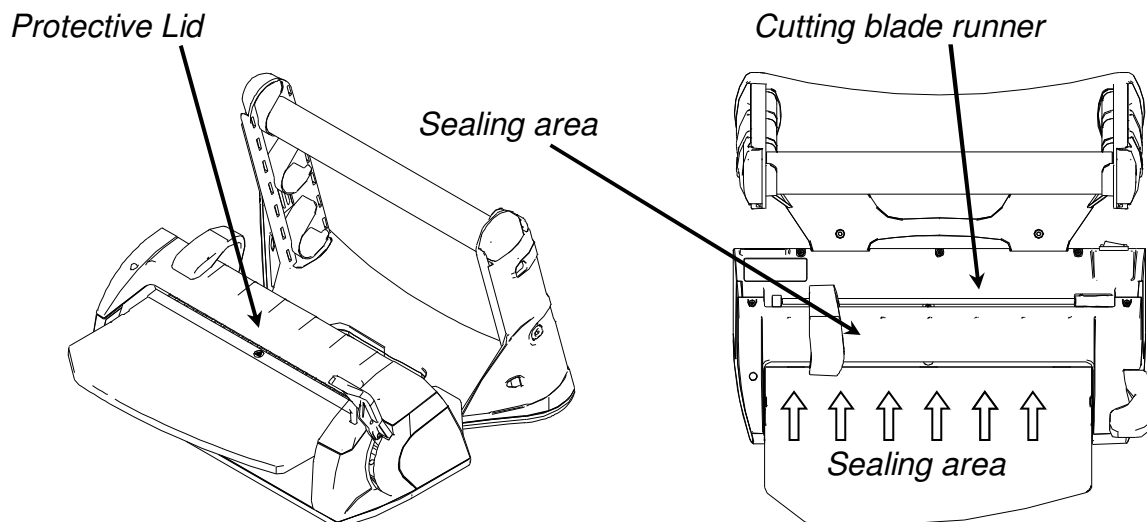
Do not place fingers near the sealing area when the machine is turned on or after it has been turned off.

If for any reason this area must be accessed, wait until the sealing area has cooled.



Do not insert your fingers under the sealing area's protective lid when the sealing handle has been lowered.

Never insert fingers in the cutting blade runner.



WARNING:

Keep the area near the thermosealing device clean and dry.



NEVER DISMANTLE THE THERMOSEALING DEVICE. THE INTERNAL VOLTAGES CAN BE DANGEROUS.

If it is not possible to disconnect the electrical supply, switch off at the mains supply power switch and if this is far away or not visible by those carrying out the maintenance, place a sign saying "work in progress" on the switch after having set it to the "OFF" position.

WARNING:

Clean the thermosealing device with a damp cloth, after having made sure that the mains wire has been disconnected (before re-using, make sure that there are no traces of humidity).

Do not use solvents.



Make sure that the wiring is earthed according to the current norms in the country of installation.

Do not remove the sticker on the thermosealing device.

Make sure that the device is powered with the correct voltage.



**ONLY USE THE ORIGINAL MAINS WIRE PROVIDED.
ONLY USE ORIGINAL SPARE PARTS.**

If the machine does not work properly, please refer to the “Trouble shooting” section in this manual to find the possible causes. If you need further information or are in need of repairs, contact the dealer or distributor.

WARNING

- The machine conforms to the electrical safety requisites of the Normative Institutions and is supplied with a bipolar plug that assures the device is put to earth.
- It is essential to make sure that the electric system is properly put to earth and that the power is suitable for the power of the device indicated on the product sticker. If in doubt, consult a qualified electrician.

**THE NON COMPLIANCE WITH WHAT IS WRITTEN ABOVE RELEASES THE
MANUFACTURER OF ALL RESPONSIBILITY**

3.5 ELECTRIC CONNECTION

Check that the voltage indicated on the product label corresponds to that available in the place of installation.

The device must be connected using the original mains wire to a system sufficiently put to earth and in conformity with the applicable norms in the country of installation.

**WARNING:**

Do not bend the wire or place objects of any kind on it.

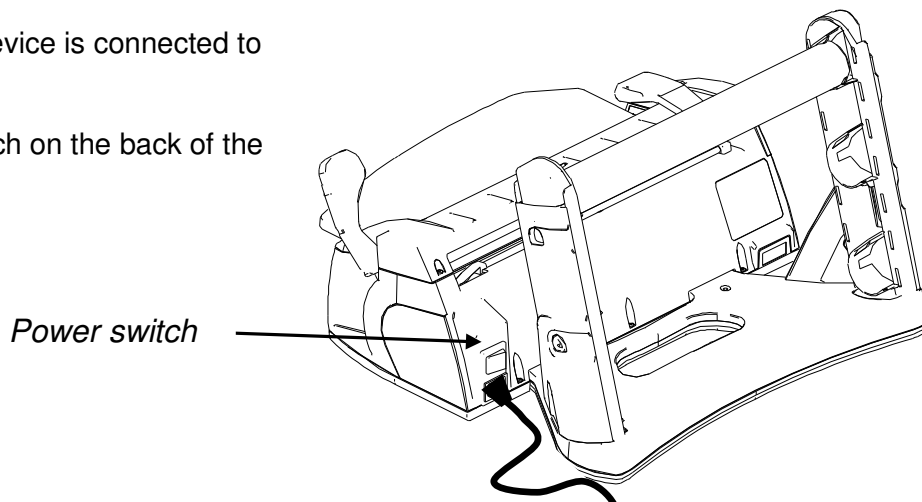
4.1 TECHNICAL SPECIFICATIONS

Voltage	200 / 240 V	100 / 120 V
Number of phases	1	1
Power supply	50 / 60 Hz	50 / 60 Hz
Power	100 W	100 W
Isolation class	I / IPX0	I / IPX0
Fuses	Nr. 2 – 5x 20 T4 A	Nr. 2 – 5x 20 F10 A
Environmental conditions for which the device has been designed	<ul style="list-style-type: none"> • Internal use • Altitude up to 3000 m • Temperature: +5 / +40 °C • Relative max. humidity: 85% • Max voltage variation: ± 10 % • Installation category (overvoltage category): II • Pollution level: 1 	
Interrupter	bipolar	
Weight	7.1 Kg	
Dimensions of the seal	12 x 310 mm	
Type of sealing	At constant temperature	

5.1 INSTRUCTIONS FOR USE

- 1) Make sure that the device is connected to the electrical supply.

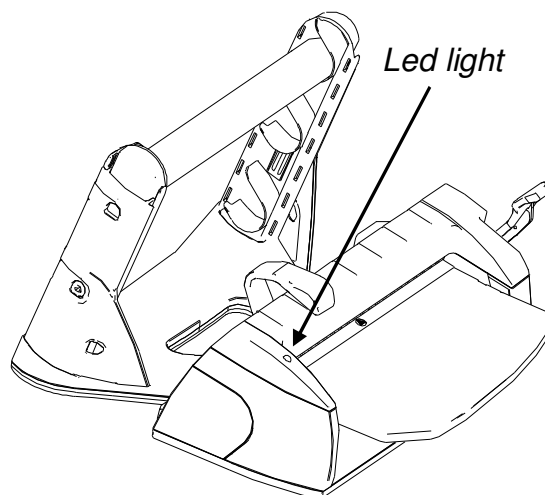
Press the power switch on the back of the machine.



- 2) The led light on the front of the device begins to flash alternately red and green whilst the device is heating up.

The led turns completely green when the resistance has reached the ideal sealing temperature.

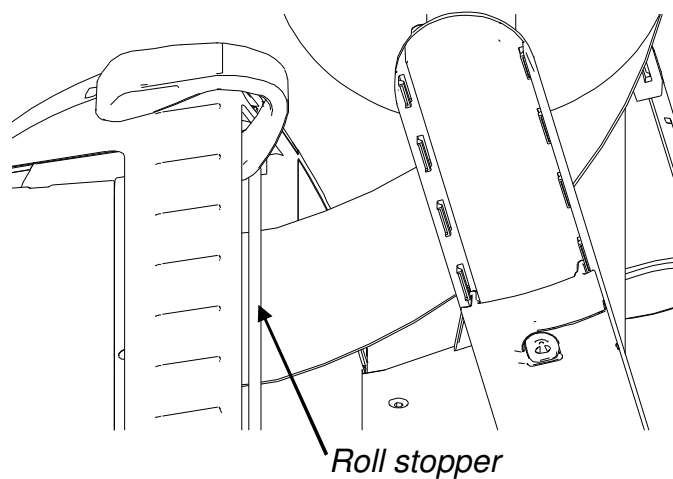
The device is then ready to be used.



NOTE: if the sealing handle is pressed down during the heating up phase (red and green flashing led), the led will turn red and an alarm will begin to sound so as to warn that the device is not ready to be used. Lift up the handle and wait until the led becomes completely green.

- 3) Insert the roll under the roll stopper.

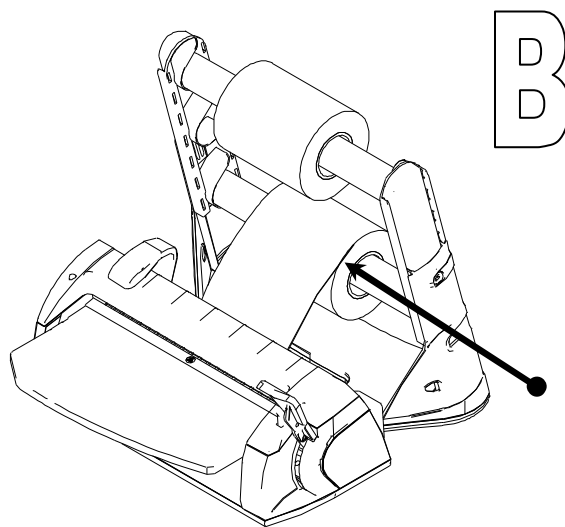
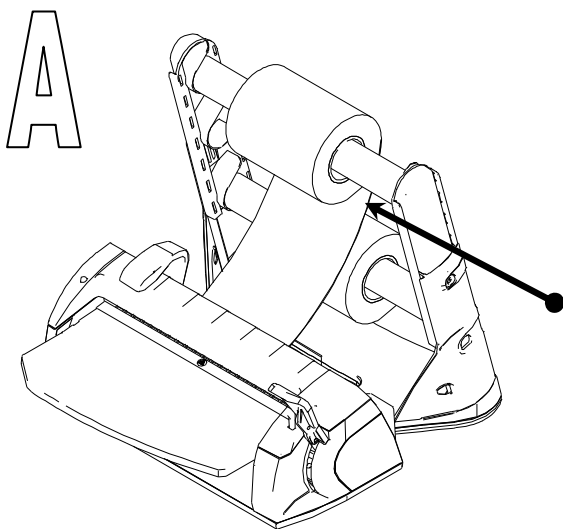
The pouch can be inserted with the propylene film either above or below. However, when using *gusseted rolls* the propylene film must face UPWARDS.



When both roll-holder tubes are used

A: insert the rolls on the upper tube with the roll coming from underneath.

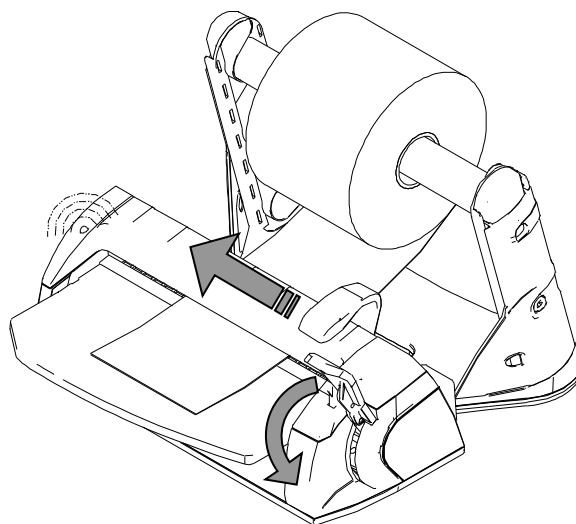
B: insert the rolls on the lower tube with the roll coming from above.



4) Pull the roll to the desired length and lower the sealing handle. The led flashes green during the sealing phase (for 3 seconds).

5) Slide the cutting handle to cut the roll to make the bag (whilst the handle is down). At the end of the sealing phase, the led becomes completely green and there is an acoustic signal to inform the user.

At this point the sealing is complete.

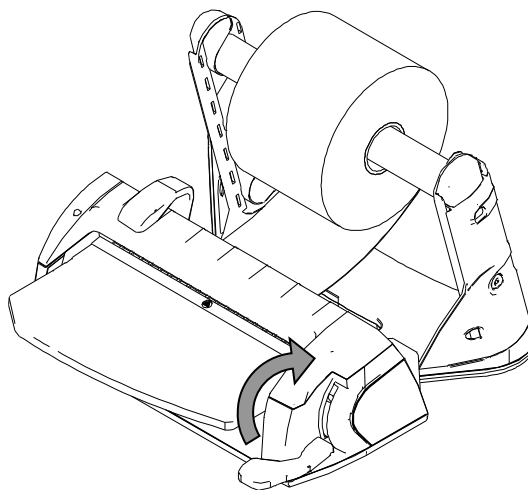


6) Lift up the sealing handle.

The led goes back to being completely green and the acoustic signal stops.

Pull out the pouch.

The device is ready for the next sealing operation without having to wait for it to cool.



WARNING:

if the operator does not lift the sealing handle after sealing, the resistor automatically turns itself off so as not to burn the bag.

In this situation the led flashes red and the alarm sounds intermittently.



As soon as the handle is lifted, the resistor turns itself back on automatically. It takes a few seconds for the ideal temperature to be achieved so as to be able to re-start sealing.

6.1 CLEANING THE THERMOSEALING DEVICE

Clean the external parts of the machine with a damp soft cloth (do not use corrosive or abrasive products), after having made sure that the mains wire has been removed from the electric source.

**WARNING: BEFORE EVERY INTERVENTION DISCONNECT FROM THE ELECTRIC SOURCE.**

The non compliance with this warning could cause serious injuries and seriously damage the device.

**WARNING:**

Before starting to clean, check that the machine is cold.
Be careful of the cutting blade whilst cleaning the device.

**WARNING:**

Before re-using the device, make sure it is completely dry.

6.2 EXTRAORDINARY MAINTENANCE

The machine does not require any standard maintenance.

ALL EXTRAORDINARY MAINTENANCE OPERATIONS MUST ONLY BE CARRIED OUT BY THE TECHNICIANS OF SERVICE GROUPS AUTHORIZED BY THE MANUFACTURER.


6.3 TROUBLE SHOOTING

Signals to the operator

SIGNAL	CAUSE	SOLUTION
The led flashes alternately green and red	The machine is heating and the temperature is not sufficient for correct sealing.	Wait for the fixed green light when the machine is ready to be used.
The led is fixed red and there is an intermittent acoustic signal.	The sealing handle has been lowered during the heating phase and the device is not yet ready.	Lift up the handle and wait until the led becomes fixed green.
The led is flashing red and there is an intermittent acoustic signal.	The maximum sealing time has been exceeded and the handle has remained down.	Lift the handle immediately.
The led is flashing orange	The device has broken down.	Call technical assistance.

7.1 INSTRUCTIONS FOR DISPOSAL



The following symbol  included on the device shows that the parts must be disposed of separately and recycled.

included on the device shows that the parts must be disposed

The user must therefore give the device to a specialised centre set up by local government which deals in the sorting of waste, or consign to the dealer in part exchange for a device of similar nature.

The collection of the separate components and their following treatment, recycling and disposal promotes the production of devices using recycled materials and limits the negative effects on the environment and health that can be caused by an improper management of their disposal.

The unlawful disposal of the product by the user could result in the application of legal sanctions.

Manufacturer:

W&H Sterilization S.r.l
Italy, I-24060 Brusaporto (BG)
Via Bolgara, 2
t +39/035/66 63 000
f +39/035/50 96 988
e office@wnhster.it
wh.com

Importer: